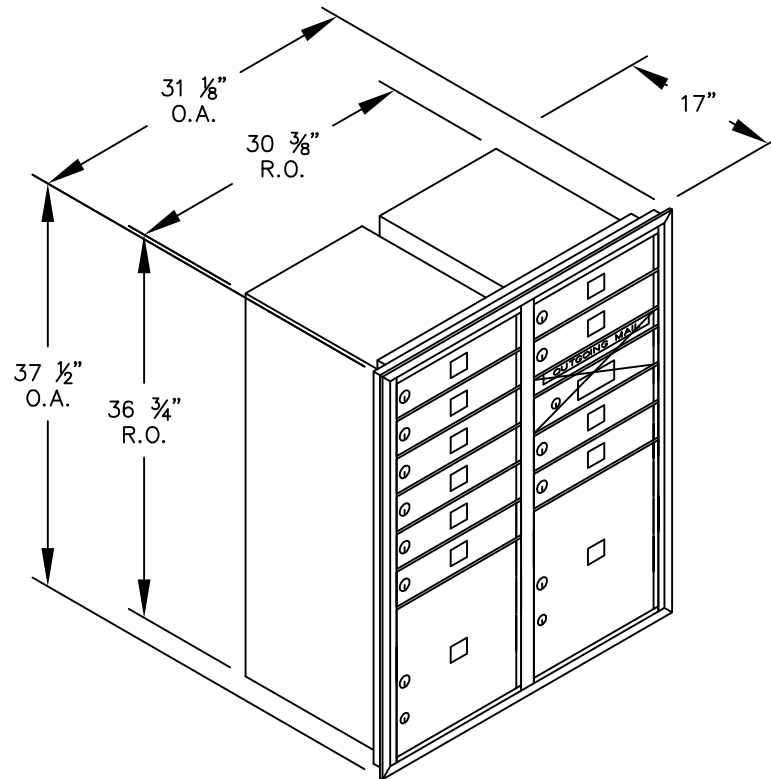


GOLDEN APARTMENTS

ADA ACCESSIBLE 4C HORIZONTAL MAILBOXES - FRONT LOADING COLOR: BRONZE



- (1) 3710DA-10 - FRONT LOADING
- (10) 'MB1' DOORS
- (1) 'OM1.5' OUTGOING MAIL COMPARTMENT
- (1) PL4 PARCEL LOCKER (13 3/4" H)
- (1) PL4.5 PARCEL LOCKER (15 1/2" H)

MODEL #3710DA-10

4C HORIZONTAL MAILBOXES-FRONT LOADING

AVAILABLE COLORS:  
ALUMINUM, BRONZE, GOLD OR SANDSTONE

AVAILABLE FOR:  
USPS ACCESS OR PRIVATE ACCESS

DRAWN: 08/16

***Established in 1936, Salsbury Industries is the industry leader in manufacturing and distributing quality mailboxes.***

1010 E. 62ND STREET  
LOS ANGELES, CA 90001  
PHONE: (800) 624-5269  
FAX: (800) 624-5299  
email: [engineering@mailboxes.com](mailto:engineering@mailboxes.com)



The Industry Leader in Quality Mailboxes

[Back To 4C Recessed Mounted](#)

[Previous Item](#) | [Next Item](#)

home > shop by department > commercial mailboxes for usps delivery > 4c horizontal mailboxes > 4c recessed mounted > recessed mounted 4c horizontal mailbox - 10 door high unit (37 1/2 inches) - double column - 10 mb1 doors / 1 pl 4 and 1pl 4.5 - front loading - usps access



## Salsbury Recessed Mounted 4C Horizontal Mailbox - 10 Door High Unit (37 1/2 Inches) - Double Column - 10 MB1 Doors / 1 PL 4 and 1PL 4.5 - Front Loading - USPS Access

Model # 3710DA-10

[See More Information](#)

Color



Please Select ▼



Price **\$1,070.00**

All Aluminum Construction



Size 31.125" W x 37.5" H x 17" D

Weight 130 lbs

[Zoom](#)

[See Video\(s\)](#)

**Volume Discount Pricing**

Quantity	Price
2 - 5	\$990.00
6 +	\$910.00

[» Contact us for bulk pricing](#)

Qty



Click to use our **4C Configurator** to design your project

[Add To Cart](#)

[More Information](#)

[Back to Top of Page](#)

### Salsbury 3700 Series Recessed Mounted 4C Horizontal Mailboxes - Front Loading - U.S.P.S. Access

#### Features

- Recessed Mounted 4C Horizontal Mailboxes are U.S.P.S. Approved

- Manufactured by Salsbury Industries to USPS-STD-4C Specifications
- Ideal for apartments, commercial buildings and residential developments
- Required for new construction and major renovations
- For indoor or outdoor use
- Constructed of heavy duty aluminum and stainless steel hardware
- Feature a durable powder coated finish available in aluminum, bronze, gold and sandstone
- Doors include a heavy duty cam lock with a dust/rain shield and 3 keys
- MB1 doors are 3-1/4" H x 13-1/4" W, MB2 doors are 6-3/4" H x 13-1/4" W, MB3 doors are 10-1/4" H x 13-1/4" W and MB4 doors are 13-3/4" H x 13-1/4" W
- Available in three (3) MB1 equivalent door high units to fifteen (15) MB1 equivalent door high units, plus our popular maximum height units (56-3/4"H)
- Available in configurations that are 1 door wide (single column) and 2 doors wide (double column)
- U.S.P.S. standard 4C requires a minimum of 1 parcel locker for every 10 tenant compartments
- Parcel lockers must be a minimum of 15" H to meet the 1:10 ratio. Once this ratio has been met, smaller parcel lockers may also be added
- Fully integrated and stand-alone parcel lockers are available in varying sizes: PL3 (10-1/4" H), PL4 (13-3/4" H), PL4.5 (15-1/2" H), PL5 (17-1/4" H) and PL6 (20-3/4" H)
- Most units include a compartment for outgoing mail collection and is labeled "Outgoing Mail"
- Outgoing mail compartment / carrier access door includes the U.S.P.S. master lock access door (lock installed by the U.S.P.S.) and cannot be used for mail distribution
- Outgoing mail compartment includes a 10-3/4" W x 3/4" H mail slot and weather protection hood
- Include factory installed 3/4" W x 1/4" D trim and a solid rear cover
- Include a 4C horizontal mailbox connector kit to easily connect multiple recessed mounted 4C horizontal mailbox units (hardware included)
- ADA height compliant units available - [ADA compliance guidelines](#)
- Salsbury Industries is an [ISO 9001:2015](#) certified company and has excelled in the field of manufacturing since 1936

#### Options

- Custom engraved placards
- Custom engraved doors - regular
- Custom engraved doors - black filled
- Replacement locks
- Additional keys
- Key blanks

#### Related Downloads

- [More Product Information \(PDF\)](#)
- [Standard Configurations \(PDF\)](#)
- [Installation Instructions \(PDF\)](#)
- [Technical Drawing \(PDF\)](#)
- [AutoCAD Drawing \(DWG\)](#)
- [BIM Models \(RFA\)](#)
- [Specifications \(RTF\)](#)
- [ADA Compliant Units \(PDF\)](#)

#### 4C Standard Horizontal Mailbox Video

**Installation Video – Installing 4C Mailboxes**

**Installation Video – Tenant Lock Replacement**

**Installation Video – Tenant Door Replacement**

**Installation Video – Locating Tenant Keys**